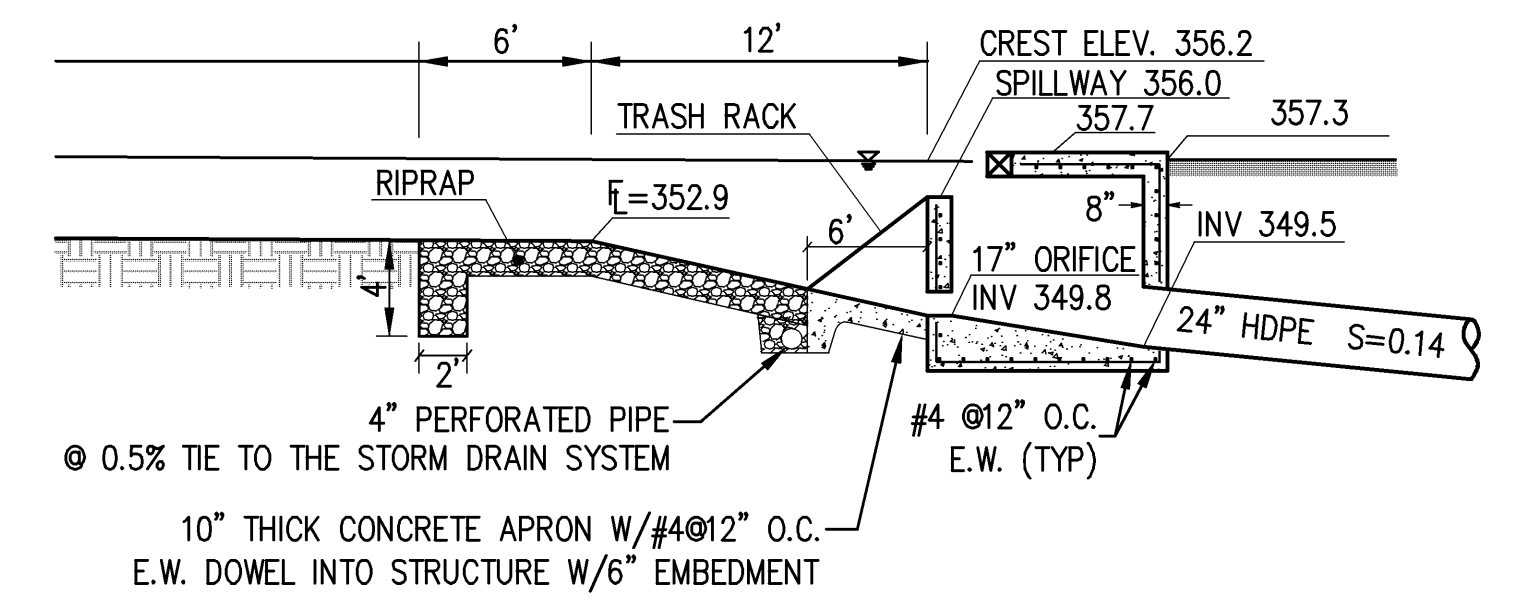
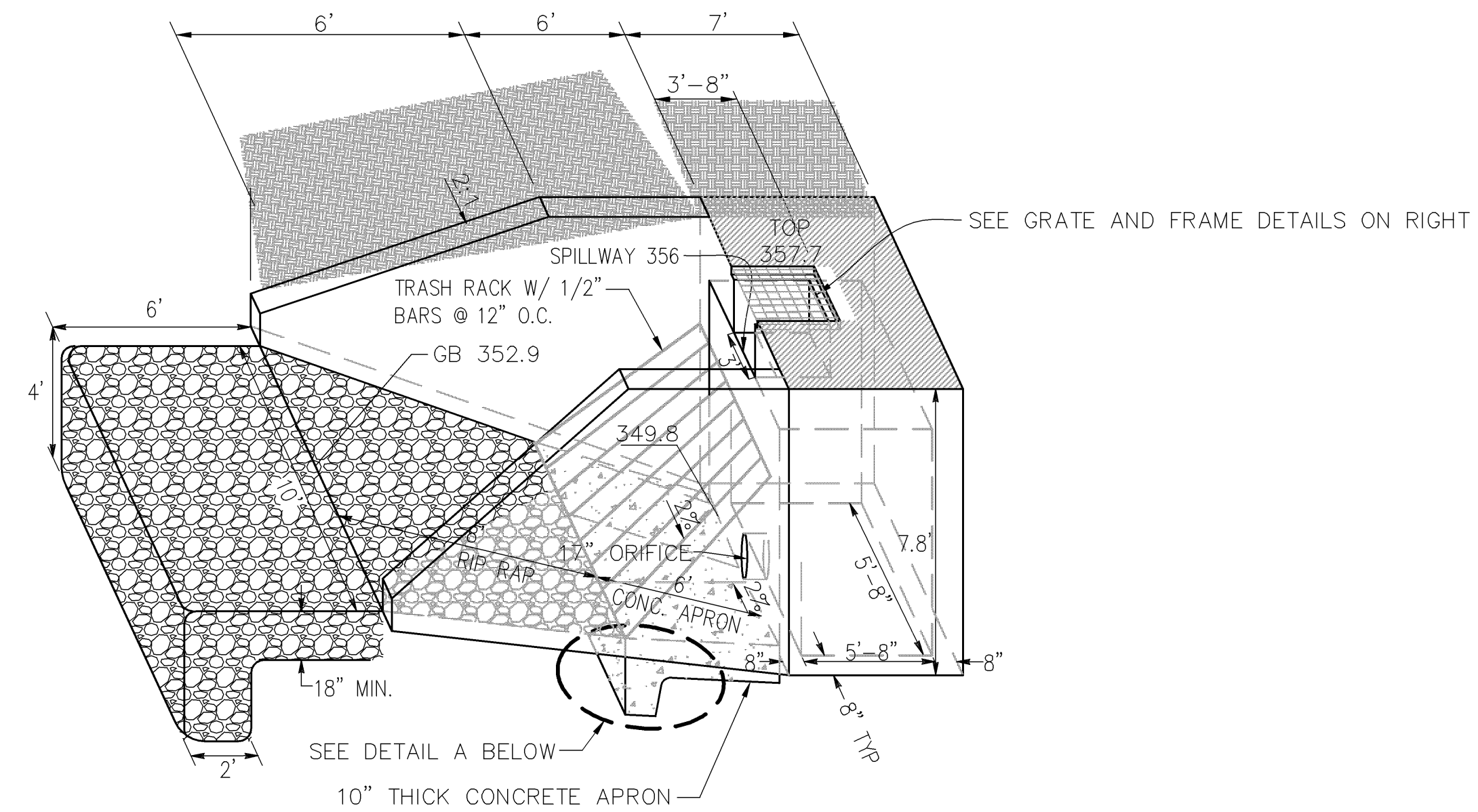


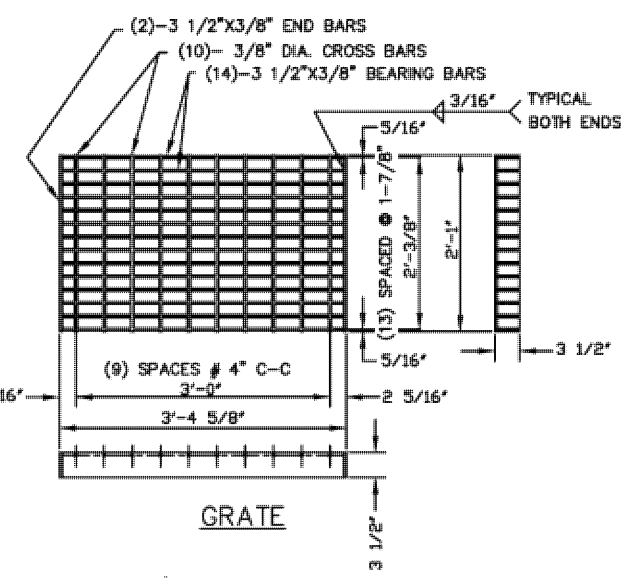
**B CONTROL STRUCTURE CROSS SECTION**  
NOT TO SCALE



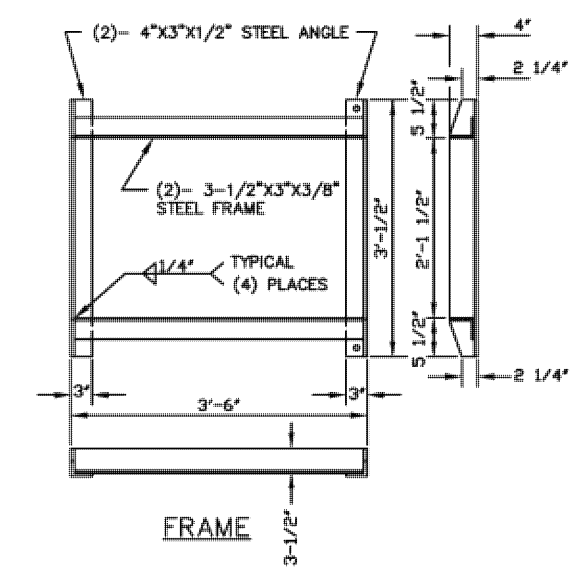
**CONTROL STRUCTURE CROSS SECTION**  
NOT TO SCALE



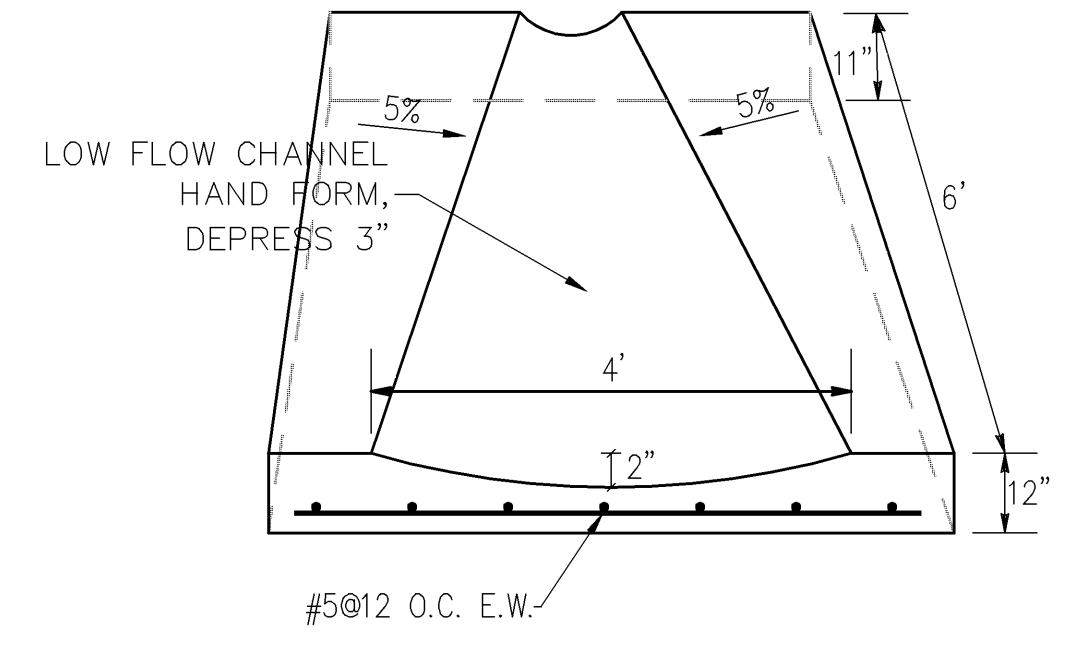
**C CONTROL STRUCTURE DETAIL**  
NOT TO SCALE



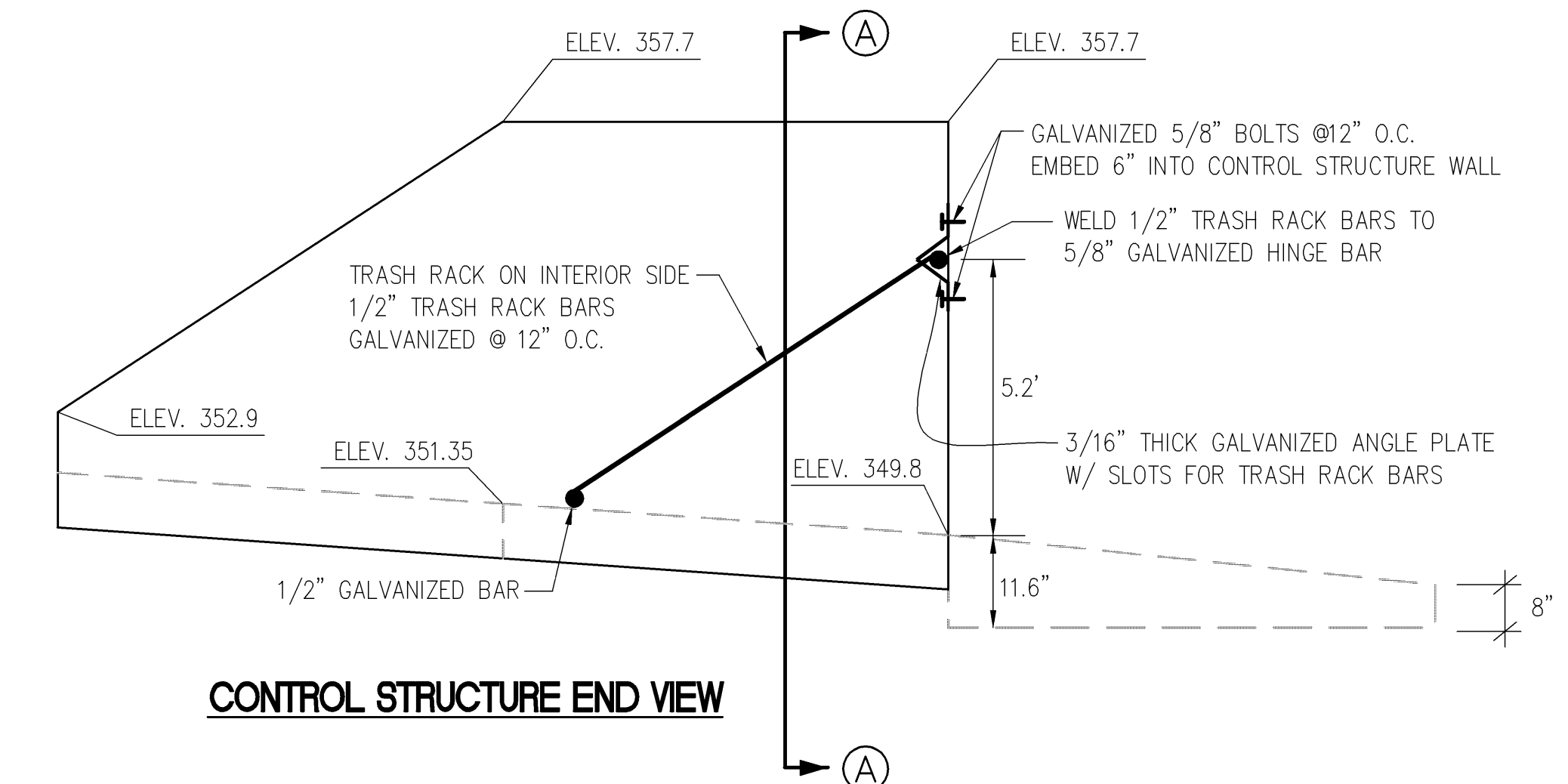
**GRATE DETAIL**



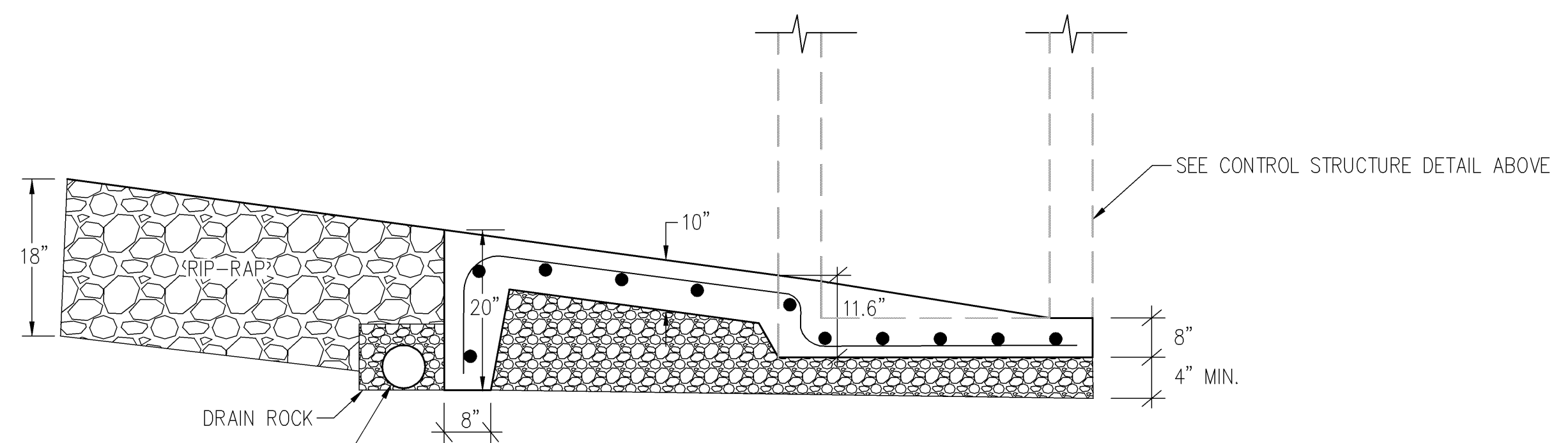
**FRAME DETAIL**



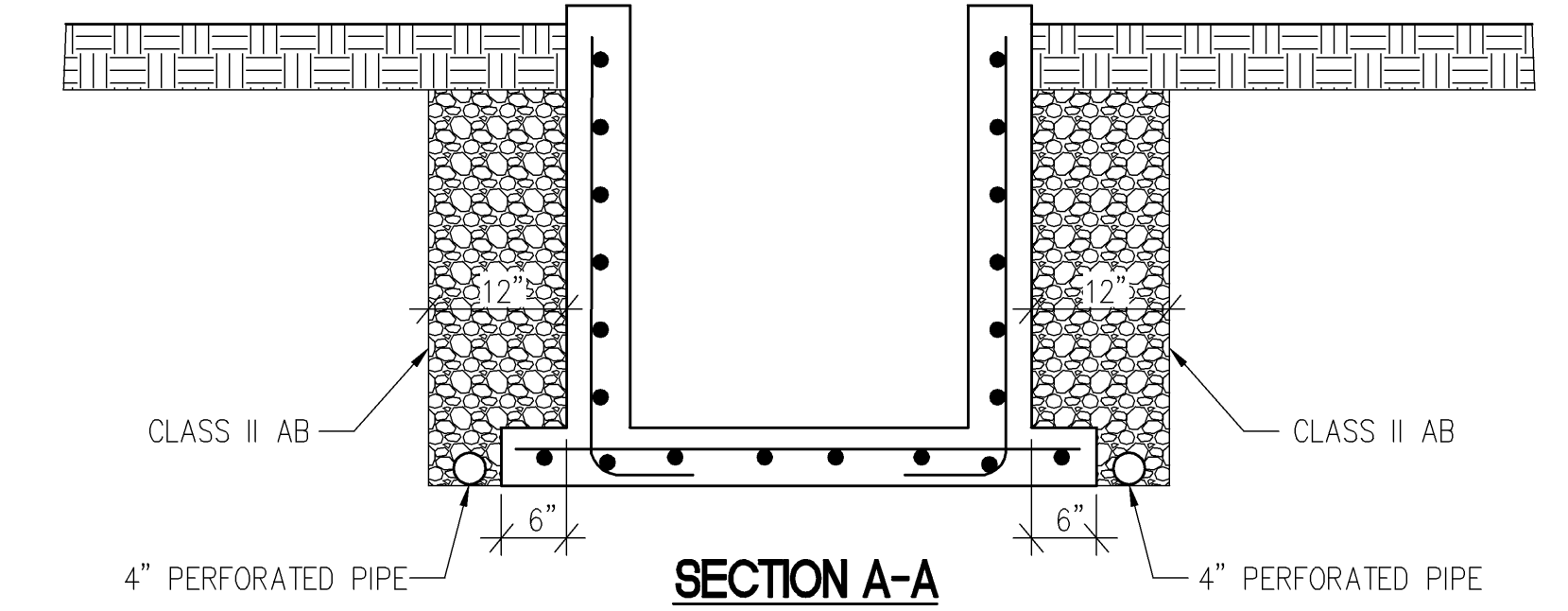
**CONCRETE APRON**



**CONTROL STRUCTURE END VIEW**



**DETAIL A**  
NOT TO SCALE



**SECTION A-A**

**noll tam & co.**  
architects and planners  
729 Heinz Avenue  
Berkeley, CA 94710  
510.649.8295  
fax 510.649.3008

**ALIQUOT PLANNERS**  
CIVIL ENGINEERS  
SURVEYORS  
ALIQUOT ASSOCIATES, INC.  
460 BOULEVARD WAY - 2ND FL.  
OAKLAND, CA 94610  
(510) 501-5101  
FAX: (510) 601-5171

**OAKLAND ZOO**  
**VETERINARY HOSPITAL**  
9777 GOLF LINKS ROAD  
OAKLAND, CALIFORNIA 94605



**PERMIT SET**

SHEET TITLE  
**SECTIONS AND DETAILS**

NO.	DATE	DESCRIPTION

DATE	12/28/2009
DRAWN	MC
CHECKED	VJD
SCALE	AS SHOWN
JOB NO.	208022.00

SHEET NUMBER  
**C2.02**